



Manufactured to meet or exceed original equipment specifications.

Photos Actual Size

"B" Pillar Moulding Clip with Sealer

- Ford Bronco Sport 2021+, Escape 2020+
- Lincoln Continental 2017 - 2020, Corsair 2020+
- Ford OEM No. W719209-S300
- 12mm x 14mm Top Head Size
- 12mm x 14mm Bottom Head Size
- 5.75mm x 9mm Stem Size
- 11mm Stem Length
- 17mm Overall Height
- Fits into 6mm x 10mm Slot
- White Nylon



Item No.	Qty.
1636420	15

Splash Shield Nut

- Ford Explorer 2020+
- Lincoln Aviator 2020+
- Ford OEM No. W719534-S300
- M6 Thread Size
- 30mm Overall Flange Dia.
- 10mm Hex Size
- 15mm Height
- Black Nylon



Item No.	Qty.
1636422	25

Metric Extruded U-Nut

- Ford Bronco, Bronco Sport 2021+, E-150, 250 2009 - 2014, Edge 2007 - 2021, Escape 2020+, Explorer 2011 - 2021, Expedition 2018 - 2021, E-150, E-250 2008 - 2014, E-350 2008 - 2021, F-150, F250, F350 2008 - 2021, Flex 2009 - 2019, Focus 2008 - 2011, Fusion 2013 - 2020, Mustang 2015 - 2018, Ranger 2019+, Transit-150, 350 350 HD 2015 - 2020
- Lincoln Aviator 2020+, Corsair 2020 - 2021, MKX 2007 - 2018, MKT 2010 - 2019, MKZ 2013 - 2020, Navigator 2018 - 2020, Nautius 2019 - 2020
- Nissan Altima 2007+, Armada, Titan 2004 - 2015, Frontier 2005 - 2021, Leaf 2013+, Maxima 2009+, Murano 2015+, Pathfinder 2005+, Rogue 2014 - 2017, Xterra 2005 - 2015
- Ford OEM No. W520802-S439
- Nissan OEM No. 01241-0009U
- M6-1.0 Screw Size
- .80mm-4.00mm Panel Range
- 13.5mm Center of Hole to Edge
- Zinc Organic



Item No.	Qty.
1636409	25

Tall Lamp Clip with Sealer

- Buick Enclave 2018 - 2020, Encore 2013+, Cadillac CTS 2011 - 2015
- Chevrolet Trailblazer 2021+, Trax 2015+, Volt 2016 - 2019
- Pontiac Solstice 2009
- GM OEM No. 11571063
- 16mm Top Head Dia.
- 17mm Bottom Head Dia.
- 8.5mm Sq. Stem Dia.
- 9.5mm Stem Length
- 20mm Overall Height
- Fits into 9mm Hole
- Black Nylon



Item No.	Qty.
1636408	25

Body Drain Hole Plug

- Acura RLX 2018 - 2020, CL 1997 - 2003, ILX 2013, Integra 1987 - 2001, Legend 1986 - 1995, MDX 2001 - 2013, MSX 1991 - 2005, RDX 2007 - 2015, RL 1996 - 2012, RLX 2014 - 2017, RSX 2002 - 2006, TL 1995 - 2014, TSX 2004 - 2014, Vigor 1992 - 1994, ZDX 2010 - 2013
- Honda 600 1970 - 1972, Accord 1976 - 2007, Civic 1973 - 2018, Crosstour 2011 - 2015, CR-V 2000 - 2016, CR-Z 2011 - 2016, CRX 1984 - 1991, Del Sol 1995 - 1997, Element 2003 - 2011, Fit 2007 - 2020, HR-V 2016+, Insight 2010 - 2014, Odyssey 1995 - 2017, Pilot 2003 - 2015, Prelude 1979 - 2001, Ridgeline 2006 - 2014, S200 2000 - 2009
- Honda OEM No. 82871-671-000
- 33mm Head Dia.
- Fits into 25mm Hole
- 10mm Overall Height
- Black Rubber



Item No.	Qty.
1636424	15

Fender Liner Screw Grommet

- Kia Optima 2017 - 2020
- Kia OEM No. 86899-2T500
- M3.5 Screw Size
- 11.5mm Head Size
- 13mm Stem Length
- 15mm Overall Height
- Fits into 7mm sq. Hole
- Black Nylon



Item No.	Qty.
1636427	50



Manufactured to meet or exceed original equipment specifications.

Photos Actual Size

Windshield Moulding Clip

- Lexus CT200h 2011 - 2017, ES300, ES350 2013 - 2018, GS300 1998 - 2006, GS400 1998 - 2000, GS430, LS430 2001 - 2006, GX460 2010 - 2021, GX470 2003 - 2009, HS250h 2010 - 2012, LS460 2007 - 2017, LS600h 2008 - 2016, LX570 2008 - 2021, NX200t 2015 - 2017, NX300 2015 - 2021, UX200, UX250 2019 - 2021
- Toyota 4Runner 1999+, Camry 1999 - 2006, Celica, Echo 2000 - 2005, C-HR 2017+, Corolla 2003+, FJ Cruiser 2007 - 2014, Highlander, Land Cruiser 2008 - 2020, Matrix 2003 - 2013, Prius 2010+, RAV4 2001 - 2021, Sequoia 2001 - 2010, Solara 2006 - 2008, Tacoma 2005 - 2020, Tundra 2000 - 2006, Yaris 2007 - 2018
- Scion iQ 2012 - 2015, tC 2005 - 2016, xA 2004 - 2006, xB 2004 - 2015, xD 2008 - 2014
- Lexus, Scion, and Toyota OEM No. 56115-30100
- 15mm Width
- 39mm Length
- 10mm Overall Height
- Black Nylon



Item No.	Qty.
1636414	25

Rocker Moulding Retainer

- Lexus NX350h 2022+
- Toyota RAV4 2019+, Venza 2021+
- Lexus and Toyota OEM No. 90467-22017
- 32mm Head Dia.
- 14mm x 21.5mm Stem Size
- 13.5mm Stem Length
- Fits into 22mm Hole
- Black Nylon



Item No.	Qty.
1636429	25

Rocker, Mud Guard, Rocker Panel Moulding Extension Push-Type Retainer

- Lexus ES300, 350 2019 - 2020
- Toyota Avalon 2019+, Camry 2018+, Prius 2016+
- Lexus and Toyota OEM No. 90467-07222
- 19mm Head Dia.
- 17mm Stem Length
- 7mm Stem Dia.
- Fits into 7mm Hole
- 5.5mm Panel Range
- Black Nylon



Item No.	Qty.
1636425	25

Interior Trim Panel Retainer

- Lexus NX300 2015+
- Toyota RAV4 2019+, Highlander 2020, Venza 2021+
- Lexus and Toyota OEM No. 76829-60020
- 13mm Top Head Dia.
- 16mm Bottom Head Dia.
- 3.7mm Stem Dia.
- 11.5mm Stem Length
- 16mm Overall Height
- Green Nylon



Item No.	Qty.
1636411	50

Door Weatherstrip Clip with Sealer

- Mitsubishi Outlander 2007, Montero 1994 - 2000
- Mitsubishi OEM No. MR380850
- 5mm x 15mm Head Size
- 10mm Stem Length
- Fits into 6mm Hole
- White Nylon



Item No.	Qty.
1636416	15

Wheel Flare Retainer

- Land Rover LR3 2005 - 2009, LR4 2010 - 2016
- Land Rover OEM No. DYC500010
- 13mm Top Head Dia.
- 16mm Bottom Head Dia.
- 8mm x 13mm Stem Dia.
- 12.5mm Stem Length
- 22mm Overall Height
- Black Nylon



Item No.	Qty.
1636418	25



Manufactured to meet or exceed original equipment specifications.

Photos Actual Size

Rocker Moulding Clip with Sealer

- Mercedes CLS500, CLS55 AMG 2006, CLS550, CLS63 AMG 2007 - 2011, E320, E350 2003 - 2009, E55 AMG 2003 - 2006, E550, E63 AMG 2007 - 2009, S350, S63 AMG 2012 - 2013, S400 2010 - 2013, S550, S600 2007 - 2013, S65 AMG 2007 - 2012
- Mercedes OEM No. 211-988-05-78
- 22mm Width
- 41mm Length
- 8.5mm x 11mm Stem Size
- 9mm Stem Length
- Fits into 9mm Hole
- White Nylon



Item No.	Qty.
1636410	25

Trim Panel Push-Type Retainer

- Mercedes AMG GT, S580 2021, C230 2003 - 2007, C32 AMG 2002 - 2004, C55 AMG 2005 - 2006, C240, C320 2001 - 2005, C280, C350 2006 - 2007, CLK350 2006 - 2009, CLK500 2004 - 2006, CLK550 2007 - 2009, CLK63 AMG 2008, CLK320, CLK55 AMG 2004 - 2005, GLC300, Metris 2016 - 2021, GLC350, S450, S560, S65 AMG 2018 - 2020, GLC43 AMG 2017 - 2021, GLC63 AMG 2018 - 2021, S500 2014 - 2021, S600 2015 - 2017, S63 AMG 2014 - 2020, SL400 2015 - 2016, SL450, SLC300, SLC43 AMG 2017 - 2020, SL550 2013 - 2020, SL63 AMG 2013 - 2019, SL65 AMG 2013 - 2018, SLK280 2006 - 2008, SLK300 2009 - 2011, SLK350 2005 - 2011, SLK55 AMG 2005 - 2010, Sprinter 1500, 2500, 3500 2019 - 2021
- Mercedes OEM No. 000-991-92-40
- 15mm Head Dia.
- 11.5mm Stem Length
- 5mm Stem Dia.
- Fits into 5mm Hole
- 3mm - 5mm Panel Range
- Black Nylon



Item No.	Qty.
1636413	25

Rocker Moulding Clip

- Mercedes S550 2014 - 2017, S600 2015 - 2017, S63 AMG 2014 - 2020, S450, S560, S65 AMG 2018 - 2020
- Mercedes OEM No. 001-991-34-71
- 28mm Width
- 43mm Length
- 27mm Overall Height
- White Nylon



Item No.	Qty.
1636417	15

Bumper and Fender Apron Phillips Truss Washer Head Tapping Screw

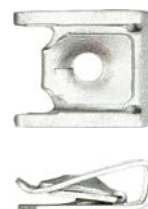
- BMW 528i, 535i, 550i 2011 - 2016, 535d 2014 - 2016, ActiveHybrid 5 2012 - 2016, M5 2013 - 2016
- Mini Cooper 2002 - 2015
- BMW OEM No. 07-14-7-146-367
- #2 Phillips Drive
- "AB" Point
- M5-2.12 X 18mm
- 16mm Washer Dia.
- Black Zinc



Item No.	Qty.
1636419	25

Bumper U-Nut

- BMW 1 Series M 2011, 128, 135 2008 - 2013, 325, 330 2006, 328 2007 - 2013, 335 2007 - 2011, 535 2010 - 2017, 550 2010 - 2015, 640, 650, M6 2012 - 2019, i3 2014 - 2020, M3 2008 - 2018, M4 2015 - 2020, X1 2013 - 2015, X3 2007 - 2021, X4 2008 - 2020, X6 2008 - 2021, X7 2019 - 2020, Z4 2009 - 2016
- BMW OEM No. 07-14-6-951-655
- M4.2-1.41 Screw Size
- 0.8mm Max Panel Range
- 9mm Center of Hole to Edge
- 15mm Width
- 18mm Length
- Silver Zinc Finish



Item No.	Qty.
1636430	25

Fender Apron and Under Cover Hex Head Sems Tapping Screw with Sems Washer

- BMW 128i, 135i 2012 - 2013, 135is 2013, 228i, M235i 2020 - 2021, 2014 - 2016, 230i, M240i, 2017 - 2021, 320i 2013 - 2018, 328d 2014 - 2018, 328i, 335i, 528i 2012 - 2016, 330e 2016 - 2018, 330i 2017 - 2019, 340i 2016 - 2019, 428i, 435i, 535d 2014 - 2016, 430i, 440i, 2017 - 2020, 535i, 550i 2010 - 2017, 740i 2011 - 2015, 750i, 750Li 2009 - 2015, 760Li 2010 - 2015, ActiveHybrid 3, ActiveHybrid 7 2013 - 2015, ActiveHybrid 5 2012 - 2015, M2 2016 - 2021, M3, X4 2015 - 2018, M4 2015 - 2020, M5 2013 - 2016, X1 2013 - 2021, X2 2018+, X3, 2011 - 2001, X6 2008 - 2014
- Mini Cooper 2014 - 2020, Cooper Clubman 2016 - 2020, Cooper Countryman 2017 - 2020, Cooper Paceman 2013 - 2016
- BMW OEM No. 07-14-9-126-886
- M5-2.12 x 18mm
- 22mm Washer Dia.
- 8mm Hex
- Black Zinc



Item No.	Qty.
1636421	25



Manufactured to meet or exceed original equipment specifications.

Photos Actual Size

Fender Apron Hex Flange Nut

- BMW 323Ci 2000, 323i 1999 - 2000, 325Ci, 325i, 325xi, 330Ci, 330i, 330xi 2001 - 2006, 328xi, 335i, 335xi 2007 - 2008, 328i 2007 - 2008, 1999 - 2000, M3 2001 - 2011, X1 2013 - 2015
- BMW OEM No. 07-14-7-154-227
- M4.8-1.61 Thread Size
- 16mm x 19mm Overall Flange Dia.
- 8mm Hex Size
- 10mm Height
- Zinc



Item No.	Qty.
1636431	25

Rocker Molding Hex Head Sems® Tapping Screw

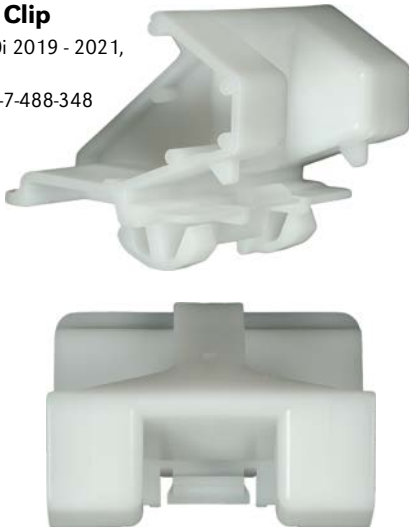
- BMW 228i, 428i, 2014 - 2016, 230i 2017 - 2021, 530i, 540i 2017+, 740i, M760i, M8 2020+, M550i 2018 - 2021, M850i 2019 - 2021
- BMW OEM No. 07-14-7-151-963
- "B" Point
- M5-2.12 x15mm
- 8mm Hex
- 18mm Washer Dia.
- Zinc



Item No.	Qty.
1636428	25

Rocker Moulding Clip

- BMW 330e 2021, 330i 2019 - 2021, M340i 2020 - 2021
- BMW OEM No. 51-12-7-488-348
- 36mm Width
- 44mm Length
- 34mm Overall Height
- White Nylon



Item No.	Qty.
1636432	15

Under Cover Screw Grommet

- BMW 320i 2013 - 2018, 328d 2014 - 2018, 328i 2012 - 2016, 330e, 340i 2016 - 2018, 330i 2017 - 2019, 335i 2012 - 2015, Active Hybrid 3 2013 - 2015, M3, 2015 - 2018
- BMW OEM No. 07-14-9-248-255
- 22mm Head Dia.
- 15mm Stem Length
- 17mm Overall Height
- Fits into 10-11mm Hole
- Use with Kent No. 1561435
- Natural Nylon



Item No.	Qty.
1636423	25

Windshield Retaining Strip Rivet

- Audi A3 2006 - 2020, A4, S4 2005 - 2012, A5 Quattro, S5 2008 - 2011, A6 2005 - 2018, A7 Quattro 2012 - 2018, A8 Quattro 2011 - 2018, e-tron Quattro, Q3, Q8 2019 - 2020, Q5 2009 - 2011, Q7 2007 - 2020, R8, TT 2008 - 2015, RS4 2007 - 2008, RS7 2014 - 2018, S3 2015 - 2020, S6 2007 - 2018, S7, S8 2013 - 2018, SQ7, SQ8 2020
- Volkswagen Arteon 2020 - 2019, Passat 2009 - 2010
- Audi and VW OEM No. N-910-197-01
- 3.2mm Dia.
- 4mm Max Grip Range
- 6mm Flange Dia.
- Aluminum Rivet
- Aluminum Mandrel



Item No.	Qty.
1636412	25



Manufactured to meet or exceed original equipment specifications.

Photos Actual Size

Door Weatherstrip Clip

- Volkswagen Golf, Jetta 1999 - 2011, Passat 1998 - 2005, Rabbit 2004
- VW OEM No. 3B0-839-723
- 5mm x 11mm Bottom Head Size
- 6.3mm Stem Dia.
- 9.5mm Stem Length
- 10.5mm Overall Height
- Fits into 6mm Hole
- Gray Nylon



Item No.	Qty.
1636426	50

Door Trim Panel Retainer with Sealer

- Volkswagen GTI, Taos 2022, ID.4 2021+
- VW OEM No. 3CN-868-243
- 21.5mm Top Head Dia.
- 16mm Middle Head Dia.
- 19.5mm Bottom Head Dia.
- 7.5mm Stem Dia.
- 11mm Stem Length
- 23mm Overall Height
- White and Black Nylon



Item No.	Qty.
1636415	15